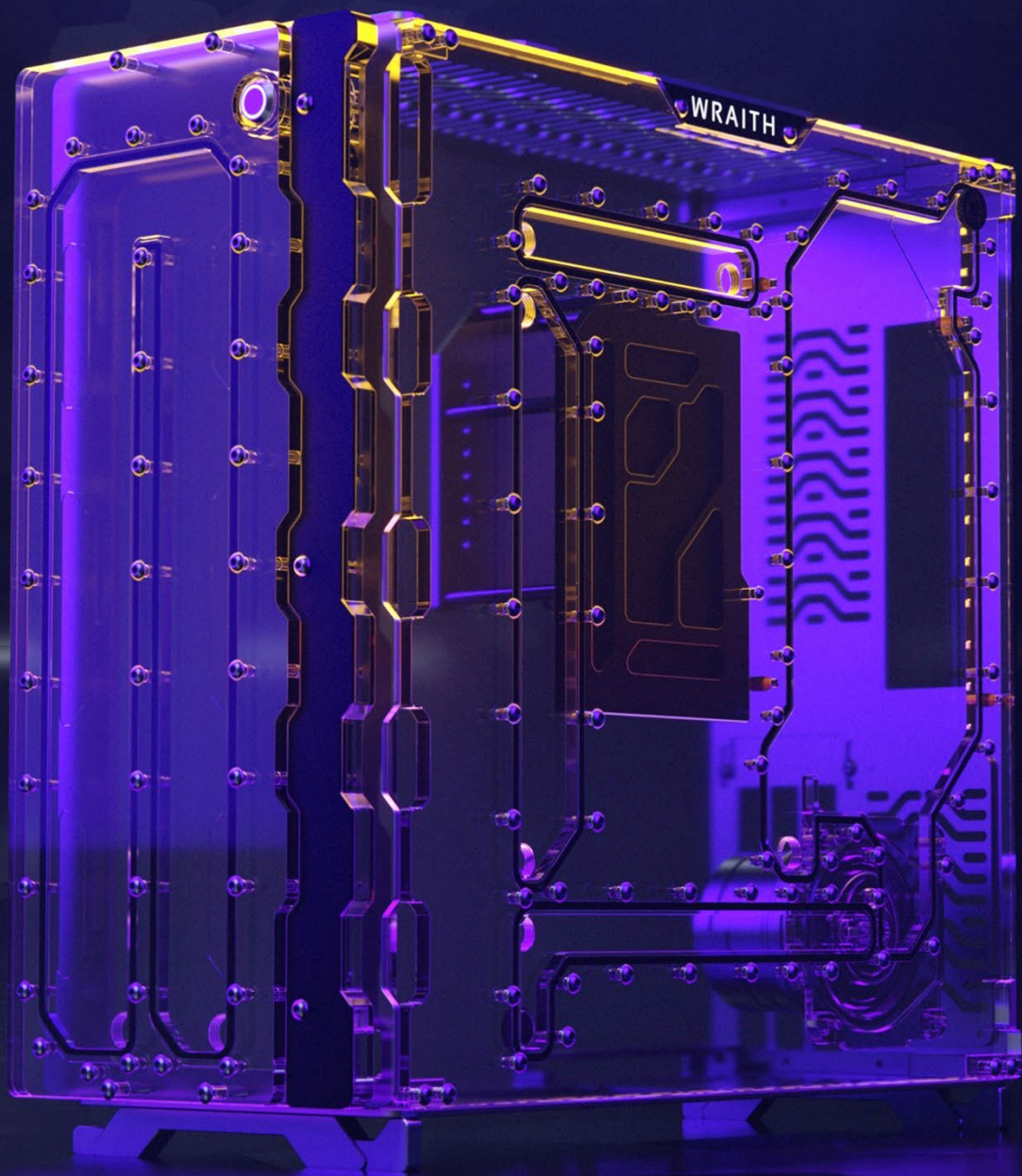


# WRAITH 2.0 ELITE



## ASSEMBLY MANUAL

Revision 1.00

## Table of Contents

Introducing Wraith 2.0 Elite .....	2
Specifications .....	2
Assembly Manual .....	3

## Introducing Wraith 2.0 Elite

Wraith 2.0 Elite replaces the front panel of Wraith 2.0 with a distribution plate. This enhances the transparency of the case even further, showing off more of the coolant and internals. The distribution plate has two ports, an inlet and outlet. When installed on the front panel the ports are at the bottom. Connections can be made to and from either the radiators, other components in the build, or the Wraith 2.0 main distribution plate. A front radiator can still be attached even when Wraith 2.0 Elite is installed. There are spacers for airflow all the way around the perimeter of the distribution plate.

## Design & Engineering

We are all experienced system builders at Singularity Computers having built high end water-cooled systems for over 15 years. Our approach to product development begins with a need for our own builds and so the origin is always function. From there we start to build ideas around this function and the aesthetics and everything else follows. The original ideas for our products came from years of building highly customized, high end water-cooled systems and trying to reduce the exceptionally long build times and complexity. Our approach to development is hands on, we are using our own products every day.

## Manufacturing & Quality

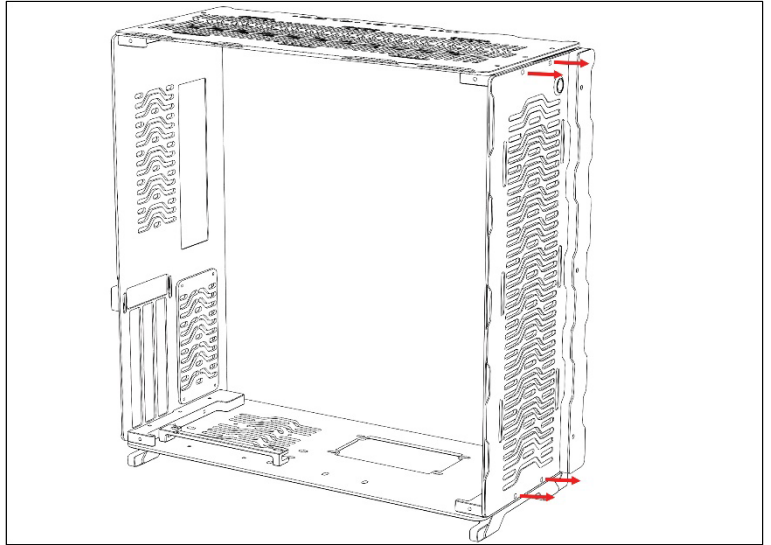
Almost all components of Wraith 2.0 are CNC machined from a solid block of material. There is no hidden or back side, and this also goes for the components being installed. Due to this we selected the most high-end materials manufacturing process. The Distribution Plate is machined on a CNC router built from thick sheets of cast acrylic. It is hand assembled with silicone gaskets and stainless-steel fasteners, and pressure tested. The metal components are machined with Extreme Precision from solid blocks of 6061 aluminum on a CNC mill then sand blasted and anodized.

## Specifications

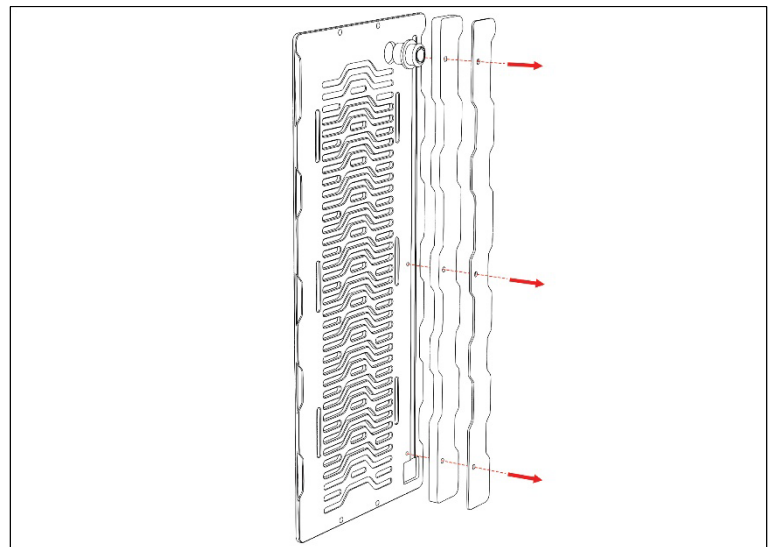
<b>Package Dimensions</b>	450mm x 200mm x 50mm.
<b>Case Packaged Weight</b>	1.3 kg.
<b>Ports</b>	2x G1/4" BSPP   1x Inlet   1x Outlet.
<b>Materials</b>	6061 Anodized Aluminum   Cast Acrylic.
<b>Manufacturing Process</b>	CNC Mill, CNC Router.
<b>Gaskets</b>	Silicone.
<b>Fasteners</b>	Stainless Steel.
<b>Assembly</b>	Assembled by hand.
<b>Testing</b>	Factory pressure tested.
<b>Included Items</b>	<ul style="list-style-type: none"><li>• Wraith 2.0 Elite Distribution Plate x1.</li><li>• 5V ARGB LED Strip x1.</li></ul>

## Assembly Manual

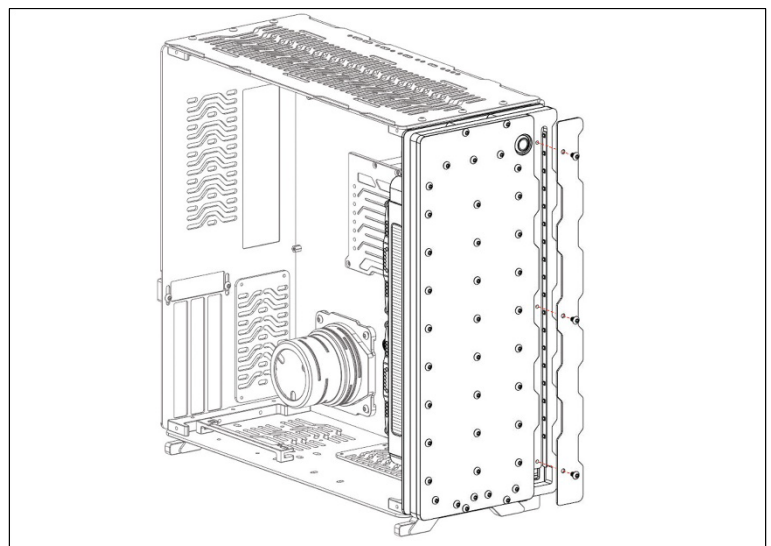
Remove Wraith 2.0 Stock Front Panel from the case by undoing the 10mm M4 x 4 Fasteners.



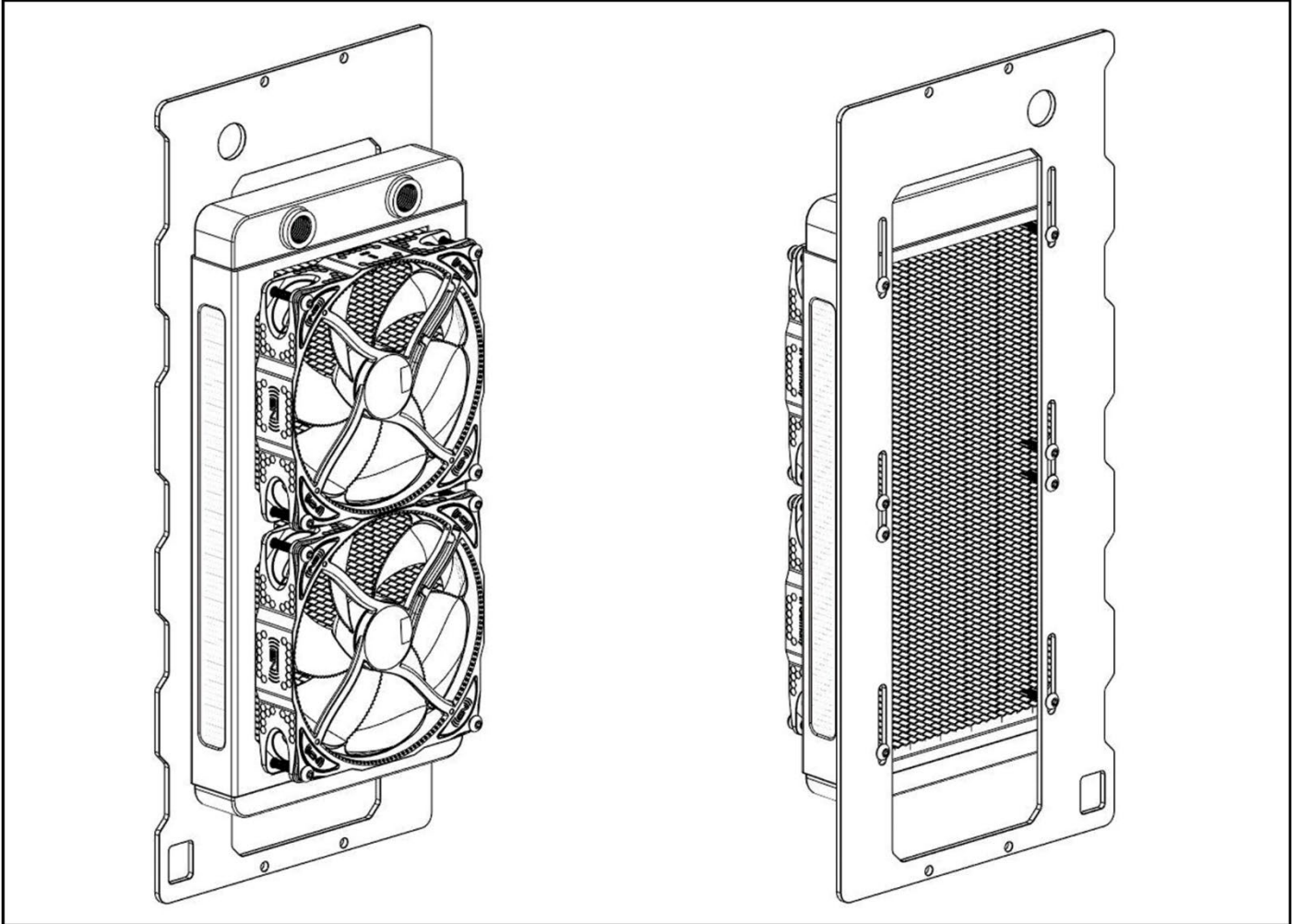
Then remove the LED Shroud and LED Diffusor from the Front Panel by undoing the M4 x 14mm x 3 Fasteners.



Then attach the LED shroud to the Wraith 2.0 Elite Distribution Plate. You will not need the LED Diffusor.



Before installing Wraith 2.0 Elite you will need to undo the M4 Nuts (which are only included to hold everything together prior to assembly) and remove the Wraith 2.0 Elite Radiator Panel from the Distribution Plate. Then you will be able to install your radiator. Make sure to position the radiator ports for optimal tube routing.



Finally, you can install the entire assembly onto the case using the included M4 x 30mm x 4 Fasteners and M4 Spacers.

